

# NOMA® PROTECT

## WARNING PROFILES

### SHOCK ABSORPTION REDEFINED

NOMA® PROTECT WARNING PROFILES effectively prevent dangers thanks to their striking signal color and provide reliable impact protection through their flexibility. The high-performance adhesive used keeps the profile in place even under difficult conditions.

### PRODUCT FEATURES:

- › Flexible PU foam
- › Permanent adhesive, suitable for almost all surfaces

- › Integrated finger lift for easy removal of the protective film
- › Available in lengths of 1 m or on request in 2 m lengths

### APPLICATIONS:

- › Edge protector
- › Prevention of impact injuries at shelves and corners
- › Production area



## NOMA® PROTECT WARNING PROFILES

### COLOUR

Yellow/black

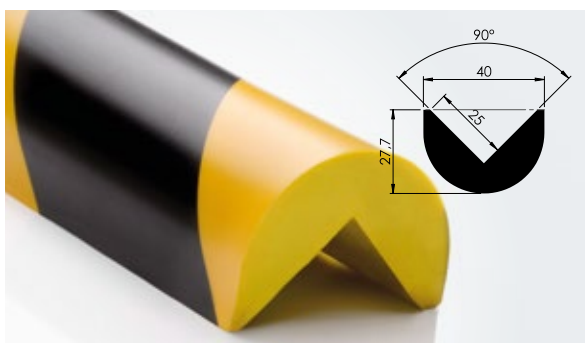
### LENGTH

1.000 mm\*

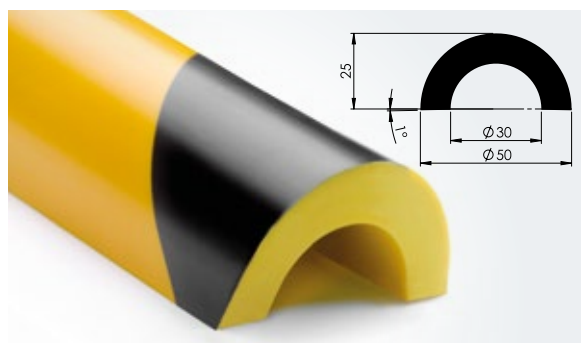
### PACKAGING

Lengths in boxes

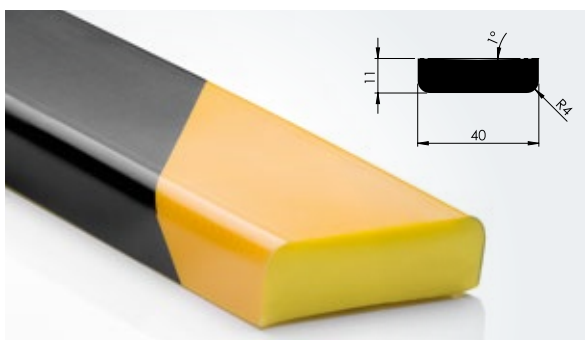
Type	Packaging unit	Item code
	m	
A	6	3044628
m <sup>3</sup> /☐ = 0,01 ☐ 1030 * 130 * 80 mm		



Type	Packaging unit	Item code
	m	
R30	6	3044629
m <sup>3</sup> /☐ = 0,01 ☐ 1030 * 130 * 80 mm		




Type	Packaging unit	Item code
	m	
F	12	3044631
m <sup>3</sup> /☐ = 0,01 ☐ 1030 * 130 * 80 mm		

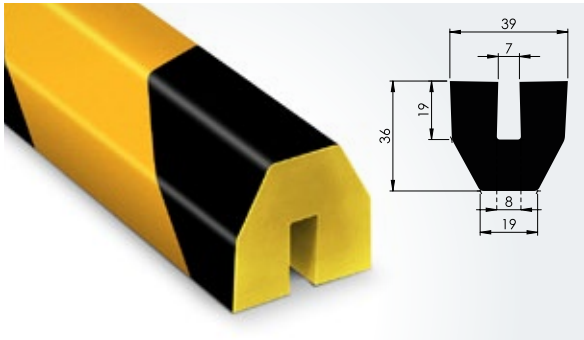


Type	Packaging unit	Item code
	m	
E	12	3044630
m <sup>3</sup> /☐ = 0,01 ☐ 1030 * 130 * 80 mm		




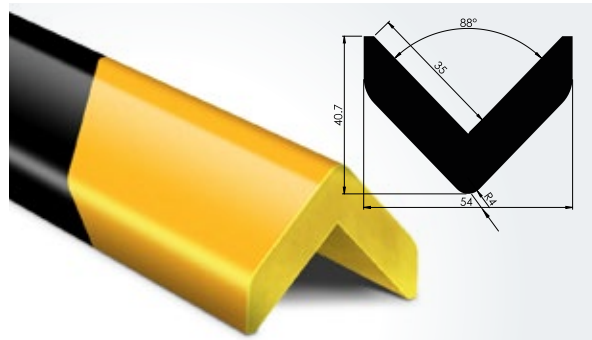
Type	Packaging unit	Item code
	m	
BB	6	3044728

$m^3/\text{box} = 0,01$   1030 \* 130 \* 80 mm




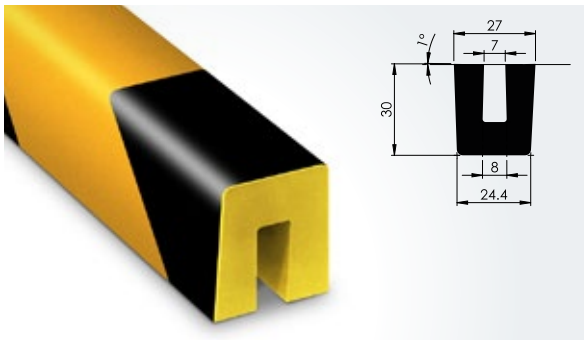
Type	Packaging unit	Item code
	m	
H	6	3044729

$m^3/\text{box} = 0,01$   1030 \* 130 \* 80 mm




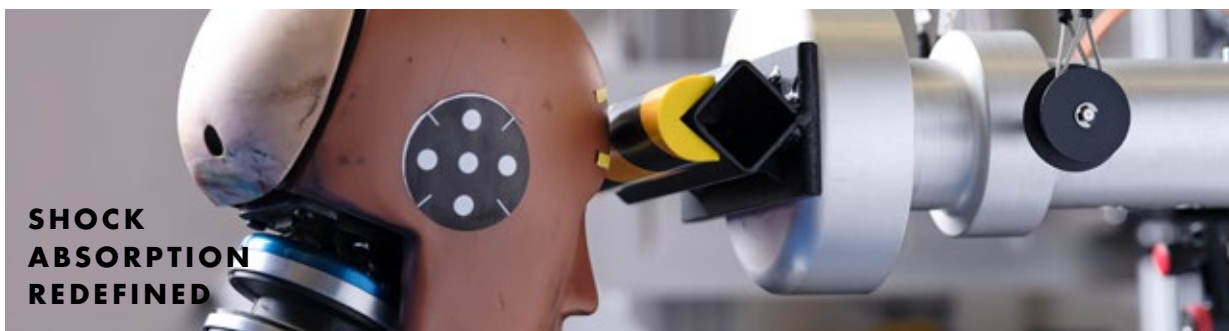
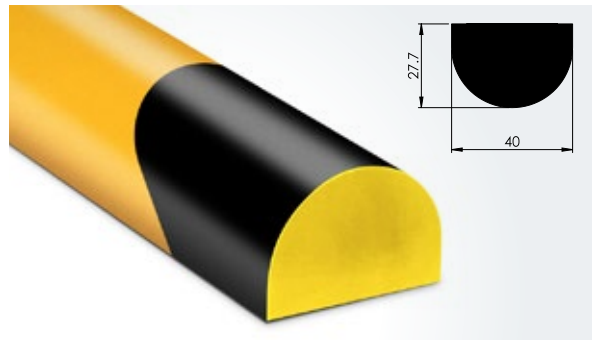
Type	Packaging unit	Item code
	m	
G	6	3044730

$m^3/\text{box} = 0,01$   1030 \* 130 \* 80 mm



Type	Packaging unit	Item code
	m	
C	6	3044727

$m^3/\text{box} = 0,01$   1030 \* 130 \* 80 mm



NMC reserves the right to update the product line or its technical features to the state-of-the-art technology anytime and without previous announcement. All given information is to the best of our knowledge. If you have any questions concerning technical details please contact the NMC information service. Any partial reproduction or reprint shall require our explicit approval.

